



RAVEL ELECTRONICS PVT. LTD.,

No. 150-A, Elec. Indsl. Estate, Perungudi, Chennai 600 096. India

Tel.: 24961004 / 24960825 Fax: 044 - 4204 9599.

Email: marketing@ravelfirepanels.com Web: www.ravelfirepanels.com



FEATURES:

- Rugged CRCA sheet with powder coated finish.
- Operates on 220V, A.C supply.
- Battery backup with built in charging.
- Error free Fire / Fault status in unambiguous colored LED indication
- Low battery visual warning with audible tone.
- System on, AC on , Battery on indications
- Relay output for actuators.
- Lamp test facility.
- Compatible to all types of conventional detectors.
- Twin RED LED indication for fire.
- Zone Isolation facility.
- 24 V DC output for External notification devices (Sounder, Bell, etc)
- Hooter loop monitoring facility.
- Hooter test facility.

RE - 101H



TECHNICAL DATA

1. POWER SUPPLY:

(i) AC Supply	:	230 V AC, 50 Hz
(ii) DC Supply	:	24 V DC
2. Operating Conditions	:	-10 to 49 °C ,30 - 95 % RH
3. Operating Voltage	:	24 V DC
4. Normal Loop Voltage	:	20.7 DC
5. Open Threshold Current	:	4.2 mA
6. Short Circuit Threshold Current	:	40 mA
7. Stand by Threshold Current (EOL Current + detector's Current)	:	8.2 mA
8. Alarm Current	:	20 - 35 mA
9. Quiescent Current	:	30 mA Plus 4.2 mA per Zone
10. No. Of zone	:	Two.
11. Colour of the Panel	:	Broken White (Red, Red texture - Optional).

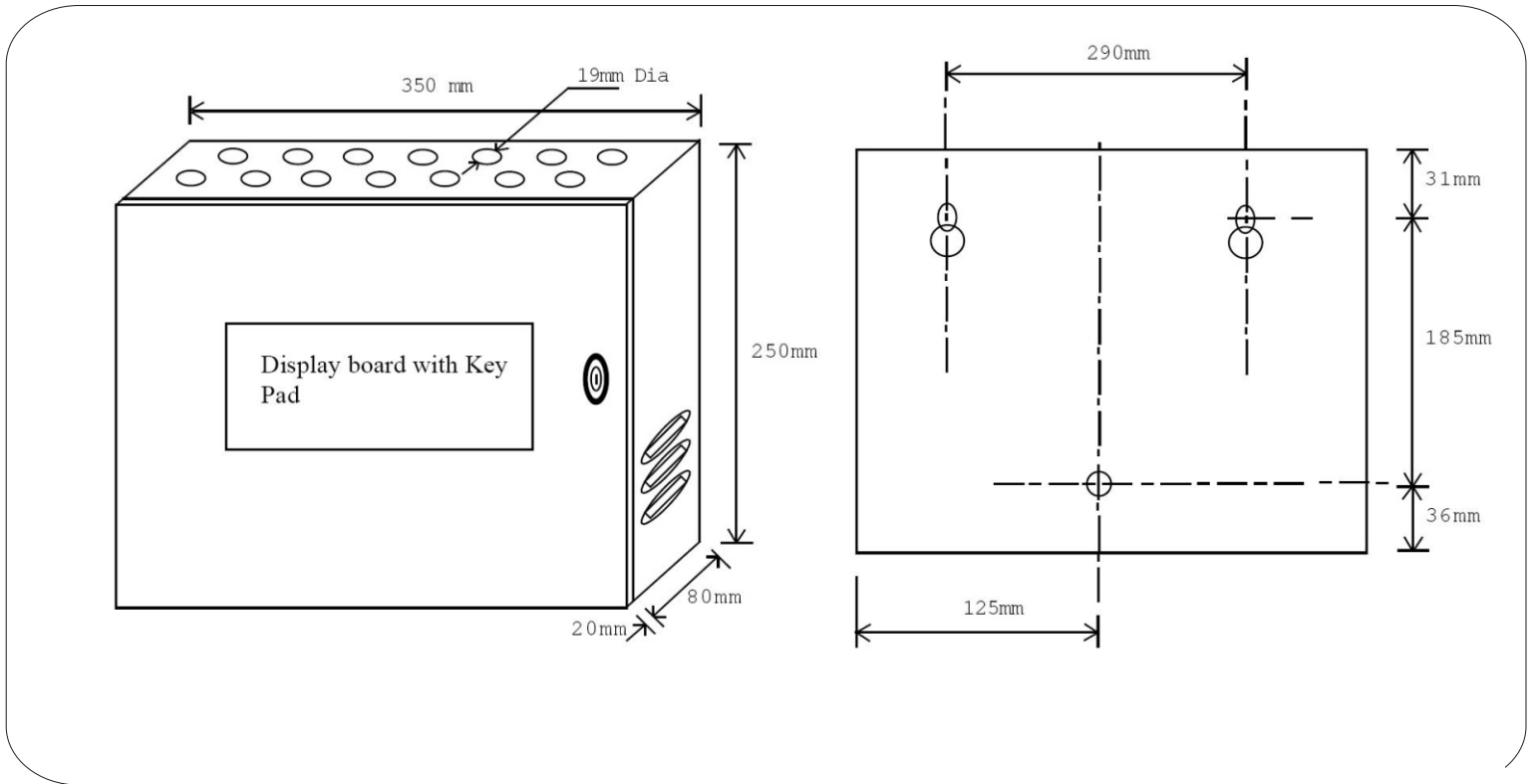
2. ALARM OUTPUTS:

Standard Common Output : 0.2 Amps per Zone.

3. REMOTE INDICATION OUTPUTS:

Standard : Common Fire Relay Output (2 No's of 230 V 2A contact)
Fault Relay Output (1 No. of 230 V 2A contact)

MOUNTING DETAIL



TERMINAL DETAILS UPTO 8ZONE

-	-	-	+	-	+	-	+	-	+	NC	NO	CO	NC	NO	CO	P	N
Fault O/P	Fire O/P	24v D.C O/P		ZONE 2		ZONE 1		SOUNDER OUTPUT		COM. FIRE RLY2			COM. FIRE RLY1			AC 220V	