



## I-9101 Intelligent Combination Heat/Photoelectric Smoke Detector

I-9101 Intelligent Combination Heat/Photoelectric Smoke Detector integrates photoelectric detection and fixed temperature and rate of rise detection technology by combining smoke sensor and heat sensor in mechanism and circuitry structure. Just because of the combination of smoke detection and heat detection, I-9101 detector not only overcomes the disadvantage that detectors using common infrared scattering technology are insensitive to black smoke with small particles, but also can pick up fire with obvious rise of temperature such as alcohol flame, thus extending its application range.

### Features

- Combined smoke and heat algorithm greatly improves detector performance
- Drift compensation to suit environment changing extensively
- Self-diagnostic
- Electronically addressed.
- Built-in microprocessor stores 14 history data.
- Reporting dirt fault for contaminated chamber
- Remote indicator output available
- Standard: EN 54-5/EN 54-7
- LPCB approved

### Wiring

Fig. 1 shows the detector bottom and Fig. 2 for the base. There are four terminals with mark on the base.

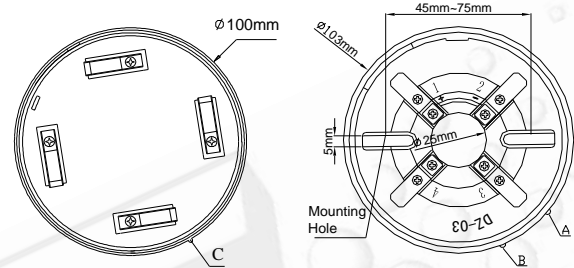


Fig.1

Fig.2

- 1&3: Loop connection (non-polarized)
- 2: Positive terminal of remote indicator
- 4: Negative terminal of remote indicator

The wiring diagram shows in Fig.3

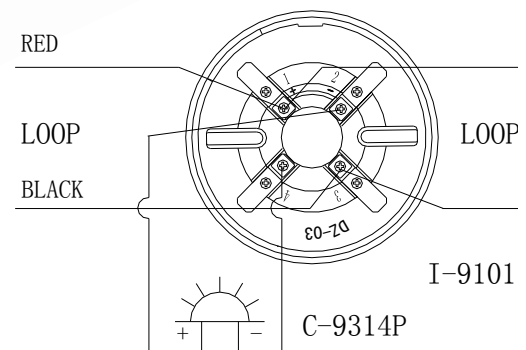


Fig.3

This document is subject to change without notice. Please contact GST for more information or questions.

**Gulf Security Technology Co., Ltd.**

No. 80, Changjiang East Road, QETDZ, Qinhuangdao, Hebei, P. R. China 066004

www.gst.com.cn www.utcfireandsecurity.com service.gst@fs.utc.com

## Recommended Cabling

1.0 mm<sup>2</sup> or above fire cable for detector loop, laid out through metal conduit or flame-retardant conduit. Subject to local codes.

## Application

The detector can be addressed in field by using P-9910B programmer, as shown in Fig.4. Please refer to P-9910B Hand Held Programmer Installation and Operation Manual for details.

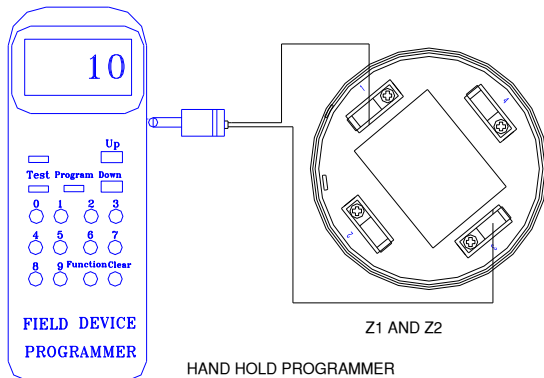


Fig.4

## Specification

Operating Voltage	loop 24V (16V~28V)
Standby Current	≤0.8mA
Alarm Current	≤5.0mA
Indicator	Red. Flashes in normal, and illuminates in alarm
Remote Indicator Output	Directly connecting with indicator (built-in 5.1kΩ resistor, maximum output current is 5.0mA). Quiet in normal condition. Illuminates steadily in alarm.
Temperature Detection	58°C (action at fixed temperature) 3°C/min (action at rate of rise)
Class	A2R
Programming Method	Electronically programming
Code Range	address within 1~242
Wiring	Non-polarized 2-core for loop. Polarized 2-core for remote indicator.
Ingress Protection Rating	IP22
Environment Temperature	-10°C~+50°C
Relative Humidity	≤95%, non condensing
Material of Enclosure	ABS
Dimensions	Diameter: 100mm Height: 56mm(base)
Mounting Hole Distance	45mm~75mm
Weight	About 120g

## Accessories and Tools

Model	Name	Remark
P-9910B	Hand Held Programmer	Order separately
DZ-03	Detector Base	Order separately

Please contact with GST sales for compatible devices.

This document is subject to change without notice. Please contact GST for more information or questions.

**Gulf Security Technology Co., Ltd.**

No. 80, Changjiang East Road, QETDZ, Qinhuangdao, Hebei, P. R. China 066004

www.gst.com.cn www.utcfireandsecurity.com service.gst@fs.utc.com