

CF2000GCPD

Intelligent Addressable control panel



The Eaton CF2000GCPD is an entry level intelligent addressable control panel which can be configured for either 1 or 2 loop operation, and is certified to EN54 parts 2 & 4.

Technical Specification

Code	CF2000GCPD
Description	2 Loop Control Panel
Standards	EN54 Pt2 1997, A1: 2006 EN54-4 1997, A1: 2002 & A2: 2006
Specification	
Number of Loops	2
Addresses per Loop	200
Panel Sounder Circuits	4 outputs, 1A total (programmed in pairs - outputs 1 & 2, 3 & 4)
Class Change Facility	Operated by external, normally open, volt free contacts
Auxiliary Relay	One set of change over contacts, operated in the event of fire activation
Auxiliary Fire	
Routing Equipment Output	Monitored 24V dc, 30mA (max) Auxiliary Fire
Protection Equipment Output	Monitored 24V dc, 30mA (max) Auxiliary Fault
Routing Equipment Output	Monitored 12V dc, 30mA (max) Mains Input Voltage 230V ac +10% / -15%
Operating Voltage	24V dc
Batteries	2 x 12V 7Ah
Standby Duration	24 hours (dependant on loop loading)
Environmental	
Operating Temperature	-5°C to +40°C Humidity (Non Condensing) 0 to 75% RH
Physical	
Construction	Back Box - Mild Steel, Door - PC/ABS
Colour	Graphite
Dimensions (H x W x D)	400mm x 320mm x 170mm Weight 15kg
Ingress Protection	IP30
Cable Entry	Top: 20 entry cable knockouts (20mm) Rear: 7 entry cable knockouts (20mm)

Features and benefits

- Configurable as a 1 or 2 loop panel
- Up to 200 addresses per loop
- Soft addressing
- Menu-driven graphic screen
- Multi-language selection capability
- Integral battery and power supply
- Easy to operate end user controls
- Full system integrity with Eaton developed protocol
- Core range of compatible accessories
- Zone and text input through site installer only

Addressable Fire Systems

CF2000GCPD Datasheet

Installation

The CF2000GCPD has been designed with ease of installation as a major objective.

The panel back box can be surface mounted with cable entry points to both the top and rear. The mother board and integrated power supply are mounted on a sub chassis which is easily removed to aid panel fitting.

Back box mounting is further assisted with the provision of a drill template allowing the mounting screw holes to be pre-drilled and the top two mounting screws fitted prior to final positioning of the back box.

Ample room is provided within the back box for the termination of external cables and bonding of cable screen wires.

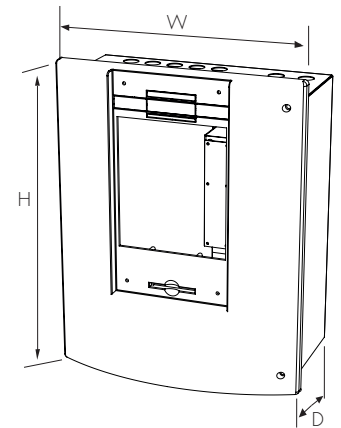
System configuration

The CF2000GCPD can be configured to operate as a 1 or 2 loop panel. Using Eaton system protocol the panel "auto learns" the equipment mounted on the loop(s) and "soft addresses" each item, ensuring a simple setup procedure and reducing the time required for system setup.

All loop mounted equipment has integral short circuit isolators, ensuring loop integrity is maintained should a short circuit fault occur on the loop.

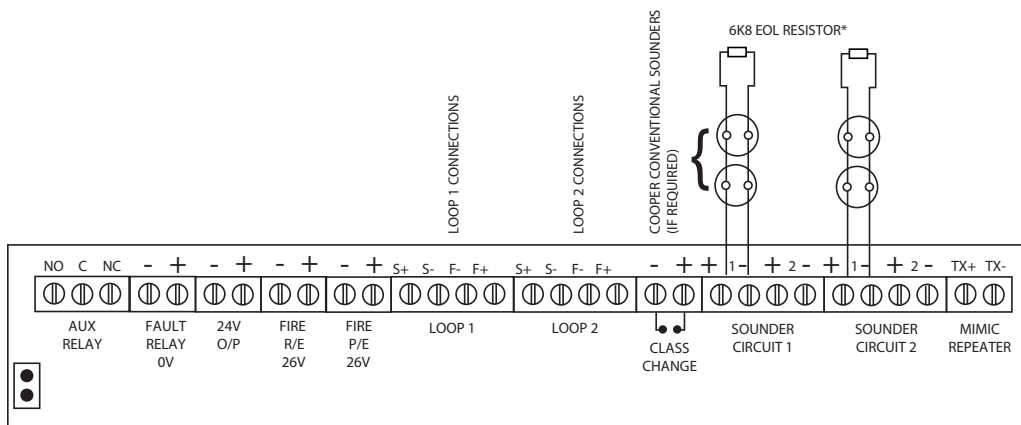
A comprehensive range of interface units are available with the CF2000GCPD including the CSI350 spur isolator which permits Eaton intelligent addressable sensors to be connected to the loop as a spur.

Dimensions



H (mm)	W (mm)	D (mm)
400	320	170

Standard Panel Connections



* required to be fitted to terminal if circuits not used

Catalogue Numbers

Code	Description
CF2000GCPD	Intelligent Addressable 2 Loop Control Panel
MFALOG	Fire Alarm System Log Book